






FIXED VOLTAGE REGULATORS

SURFACE MOUNT

TYPE NUMBER	OUTPUT VOLTAGE T _J = 25°C ①			MAXIMUM POWER DISSIPATION T _C = 25°C Watts	LINE REGULATION T _J = 25°C ①		LOAD REGULATION T _J = 25°C ①		MAXIMUM THERMAL RESIS. R _{θJC} °C/W	SIMILAR INDUSTRY STANDARD PART TYPE	PKG. STYLE
	Min	Nom	Max		Typ	Max	Typ	Max			
SHD5181	4.95	5.0	5.05	15	-	5.0	10	12	3.8	7805A	
SHD5182	-5.05	-5.0	-4.95	15	10	15	20	50	3.8	7905A	
SHD5183	11.88	12.0	12.12	15	-	12	12	32	3.8	7812A	
SHD5184	-12.12	-12.0	-11.88	15	10	20	40	80	3.8	7912A	
SHD5185	14.85	15.0	15.15	15	-	15	12	35	3.8	7815A	
SHD5186	-15.15	-15.0	-14.85	15	10	20	50	80	3.8	7915A	
SHD5181A	4.95	5.0	5.05	15	-	5.0	10	12	3.8	7805A	
SHD5182A	-5.05	-5.0	-4.95	15	10	15	20	50	3.8	7905A	
SHD5183A	11.88	12.0	12.12	15	-	12	12	32	3.8	7812A	
SHD5184A	-12.12	-12.0	-11.88	15	10	20	40	80	3.8	7912A	
SHD5185A	14.85	15.0	15.15	15	-	15	12	35	3.8	7815A	
SHD5186A	-15.15	-15.0	-14.85	15	10	20	50	80	3.8	7915A	
SHD5181B	4.95	5.0	5.05	15	-	5.0	10	12	3.8	7805A	
SHD5182B	-5.05	-5.0	-4.95	15	10	15	20	50	3.8	7905A	
SHD5183B	11.88	12.0	12.12	15	-	12	12	32	3.8	7812A	
SHD5184B	-12.12	-12.0	-11.88	15	10	20	40	80	3.8	7912A	
SHD5185B	14.85	15.0	15.15	15	-	15	12	35	3.8	7815A	
SHD5186B	-15.15	-15.0	-14.85	15	10	20	50	80	3.8	7915A	
SHD5301	4.95	5.0	5.05	15	-	5.0	10	12	6.3	7805A	
SHD5302	-5.05	-5.0	-4.95	15	10	15	20	50	6.3	7905A	
SHD5303	11.88	12.0	12.12	15	-	12	12	32	6.3	7812A	
SHD5304	-12.12	-12.0	-11.88	15	10	20	40	80	6.3	7912A	
SHD5305	14.85	15.0	15.15	15	-	15	12	35	6.3	7815A	
SHD5306	-15.15	-15.0	-14.85	15	10	20	50	80	6.3	7915A	
SHD5191	4.95	5.0	5.05	15	-	5.0	10	12	4.2	7805A	
SHD5192	-5.05	-5.0	-4.95	15	10	15	20	50	4.2	7905A	
SHD5193	11.88	12.0	12.12	15	-	12	12	32	4.2	7812A	
SHD5194	-12.12	-12.0	-11.88	15	10	20	40	80	4.2	7912A	
SHD5195	14.85	15.0	15.15	15	-	15	12	35	4.2	7815A	
SHD5196	-15.15	-15.0	-14.85	15	10	20	50	80	4.2	7915A	

Notes:

- All ratings are at T_C = 25° unless otherwise specified.
- Maximum operating and storage temperature -55°C to +150°C.
- ① Consult factory for conditions.

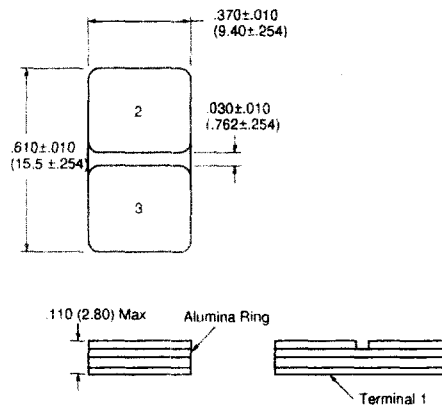
PINOUTS

VOLTAGE REGULATOR SHD 5, SHD-5A, SHD-5B	7800 Series 7900 Series	GROUND INPUT	INPUT GROUND	OUTPUT OUTPUT
--	----------------------------	-----------------	-----------------	------------------

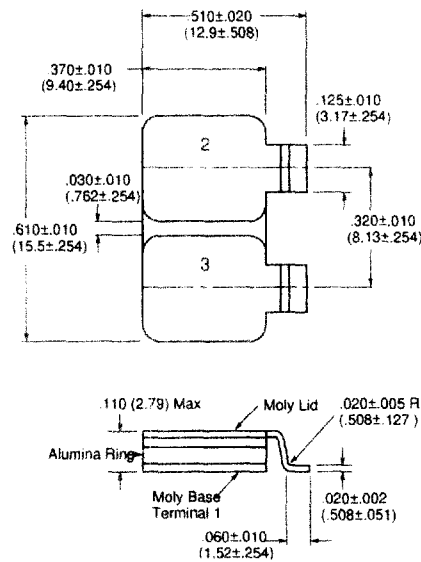
VOLTAGE REGULATOR LCC-28T	7800 Series 7900 Series	GROUND INPUT	INPUT GROUND	OUTPUT OUTPUT
------------------------------	----------------------------	-----------------	-----------------	------------------

VOLTAGE REGULATOR LCC-3P	7800 Series 7900 Series	GROUND INPUT	INPUT GROUND	OUTPUT OUTPUT
-----------------------------	----------------------------	-----------------	-----------------	------------------

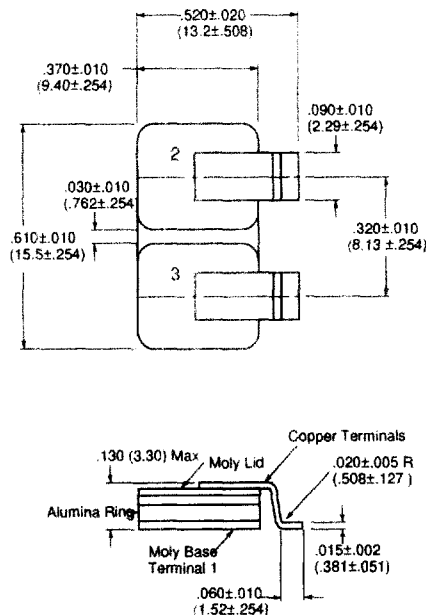
SHD-5

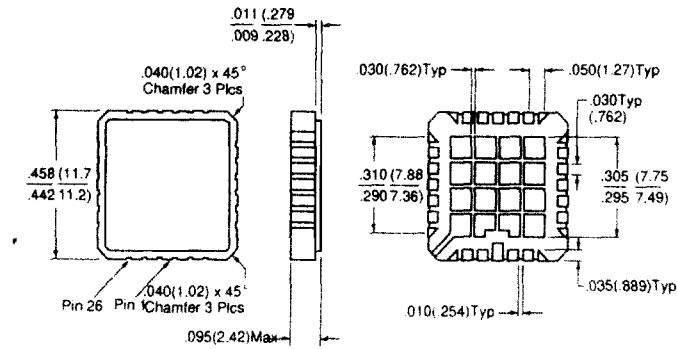


SHD-5A

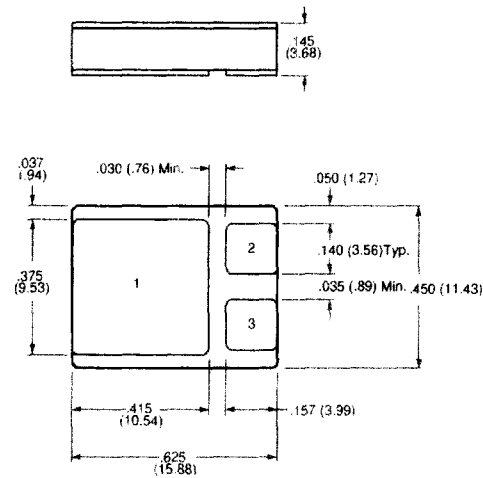


SHD-5B





LCC-28T



LCC-3P